


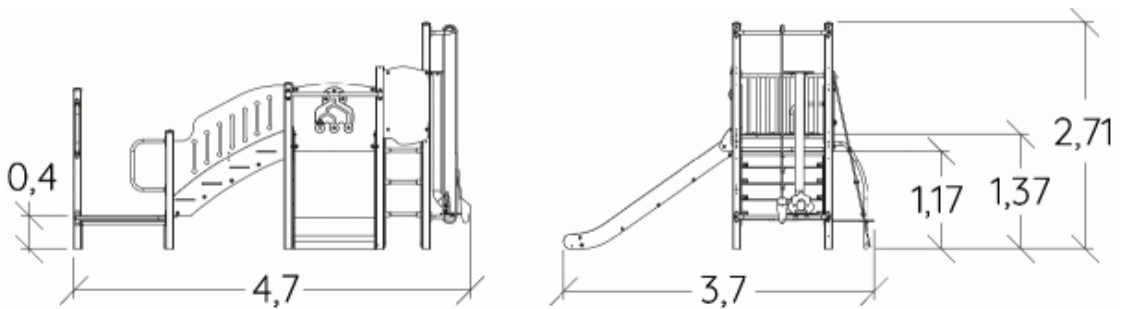
 **2+**
 **18**
 **1,37m**



 1 = 4,7m
 2 = 3,7m
 3 = 2,71m



Physical inclusion
 Sensory inclusion
 Cognitive inclusion



Play value : **18**

role play



x1

sliding



x1

meeting



x3

handling



x4

balancing



x1

thinking



x1

tactile stimulation



x3

climbing



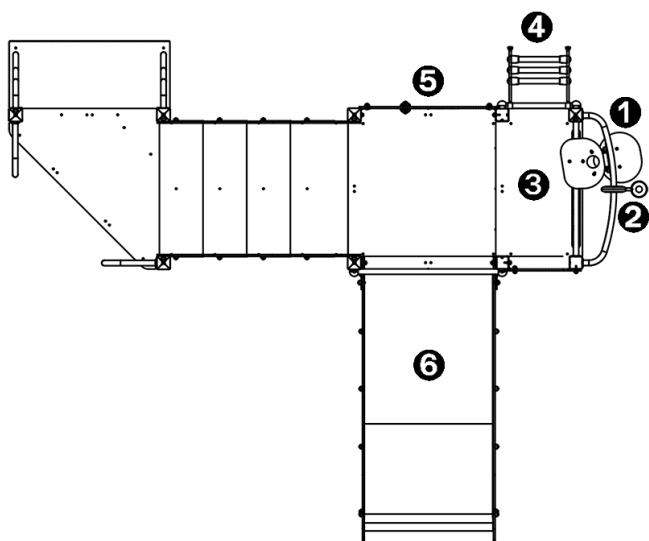
x3

getting across



x1



Components

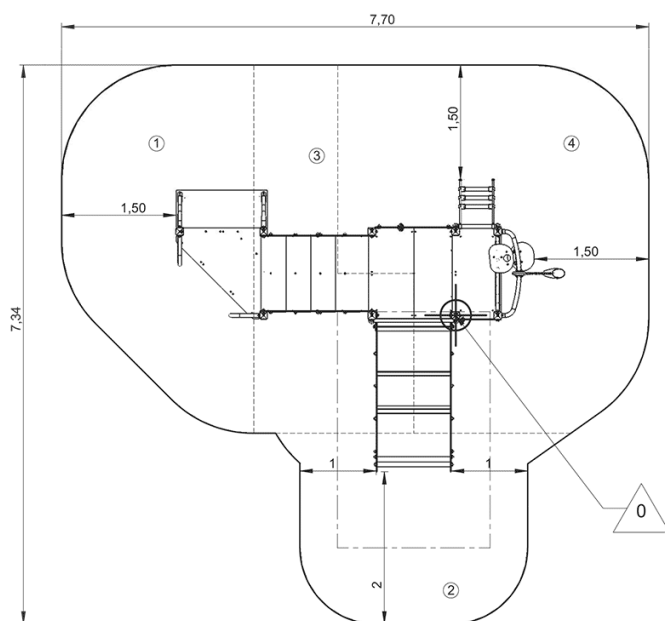


- ❶ Gutter HT: 1.37m
- ❷ Grue H : 1,37 m
- ❸ Rectangular platform
- ❹ Rope ladder H: 1.37m
- ❺ The Pachinko Play Panel
- ❻ Toboggan large HT : 1,17 m

Installation of equipment

IMPORTANT: It is essential to refer to the installation instructions for information on the size of the safety areas.

-  Impact area (minimum normative surface)
-  Free space



| | | |
|---|-------|-------------------|
| 1 | 0,6m | 10m ² |
| 2 | 1m | 7,5m ² |
| 3 | 1,17m | 7,5m ² |
| 4 | 1,37m | 17m ² |



2

19h00

0.4m³

42m²

541kg

46kg

EN

1176