



2+



15



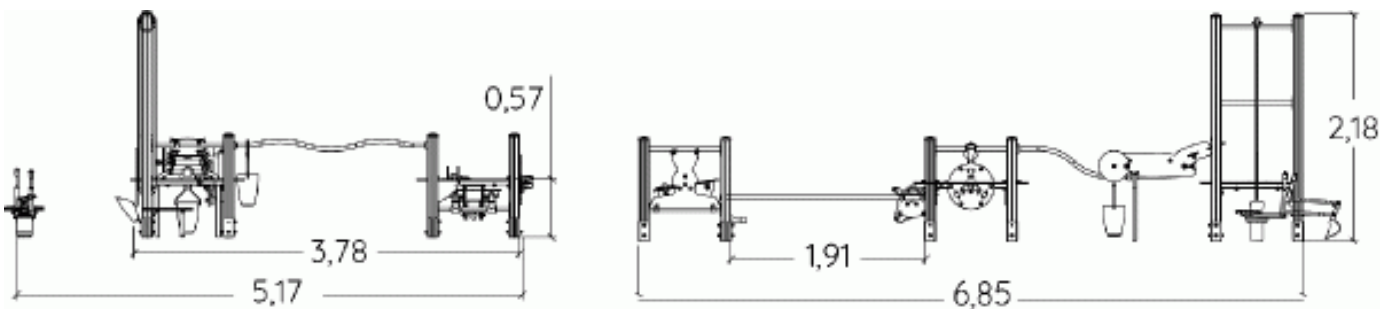
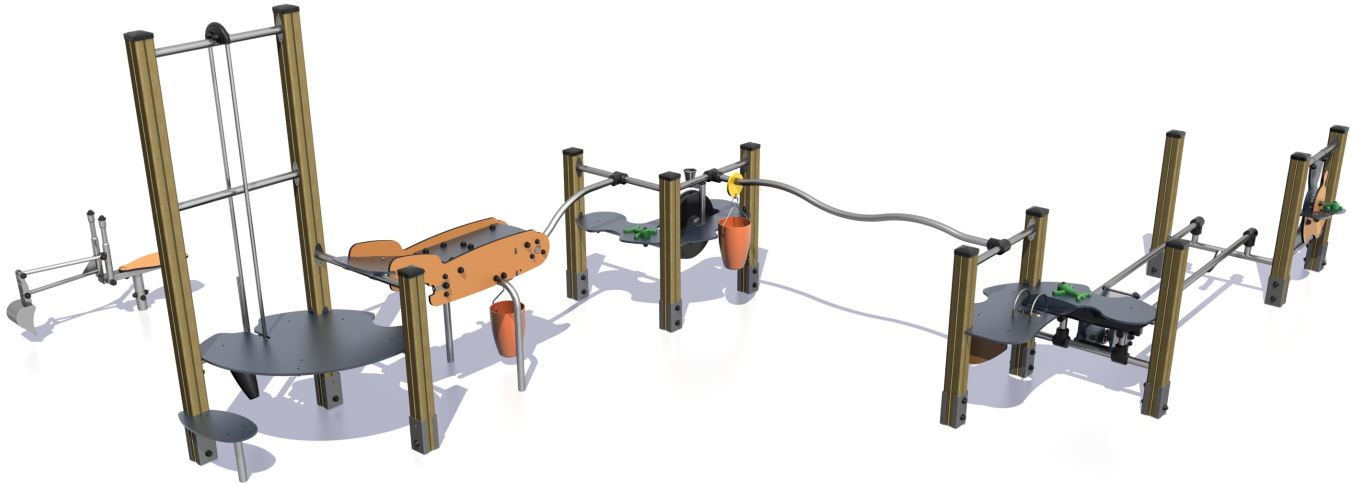
0,6m



1 = 6,87m
2 = 5,17m
3 = 2,18m



Physical inclusion
Sensory inclusion
Cognitive inclusion



Play value : **34**

role play



x2

meeting



x3

resting



x1

handling



x10

thinking



x7

tactile stimulation



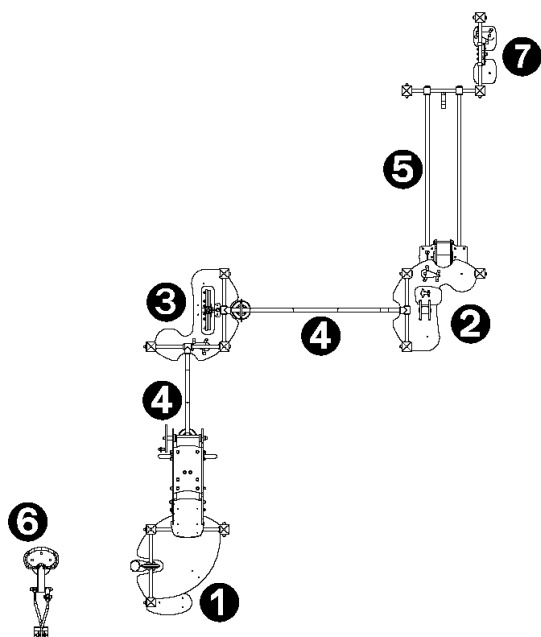
x10

climbing



x1

Components

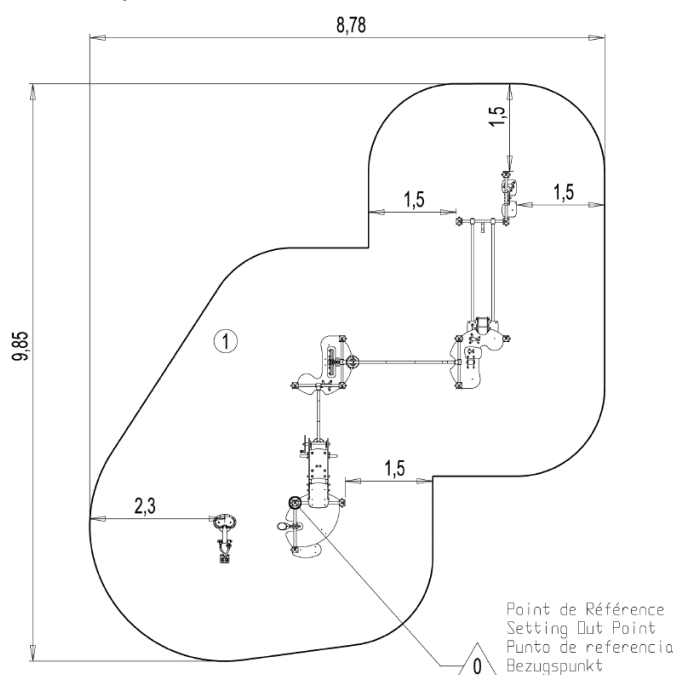




- 1 Crane
- 2 Stencil
- 3 Wheel Mould
- 4 Conveyor belt
- 5 Transporter
- 6 Digger
- 7 Scale

Installation of equipment

IMPORTANT: It is essential to refer to the installation instructions for information on the size of the safety areas.

-  Impact area (minimum normative surface)
-  Free space



		
1	<0,6m	54,7m ²



2

05h00

0.5m³

54.7m²

334kg

21kg

EN

1176