


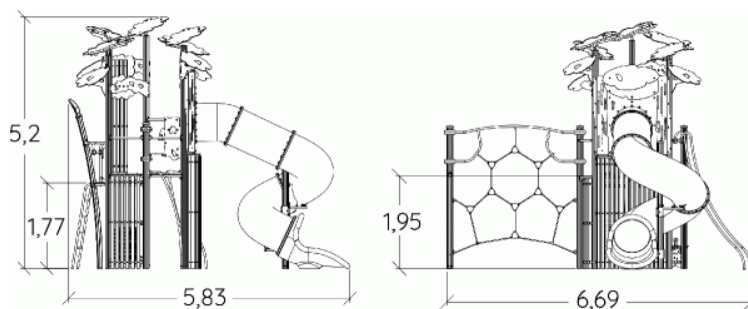
 **2+**
 **32**
 **3m**


 1 = 6,69m
 2 = 5,83m
 3 = 5,2m



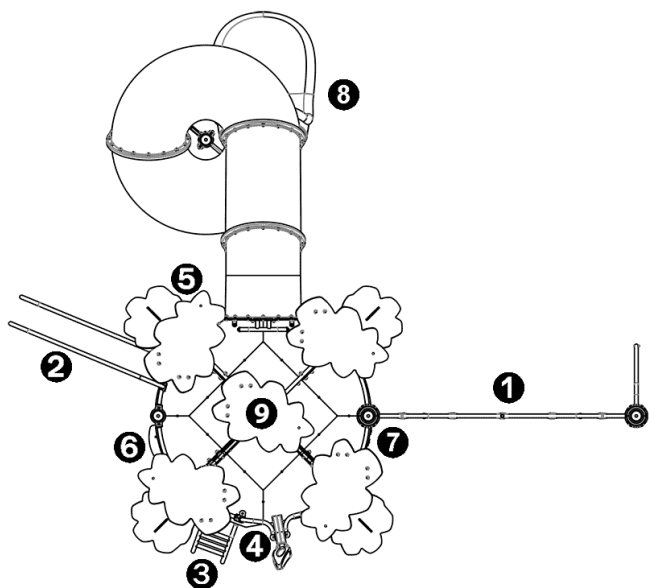
Physical inclusion
Sensory inclusion
Cognitive inclusion



Play value : 30

role play  x3	sliding  x2	meeting  x3	resting  x2	handling  x4	swinging  x2	hiding  x2	taking shelter  x1
thinking  x2	sound stimulation  x1	tactile stimulation  x4	climbing  x3	getting across  x1			



Components

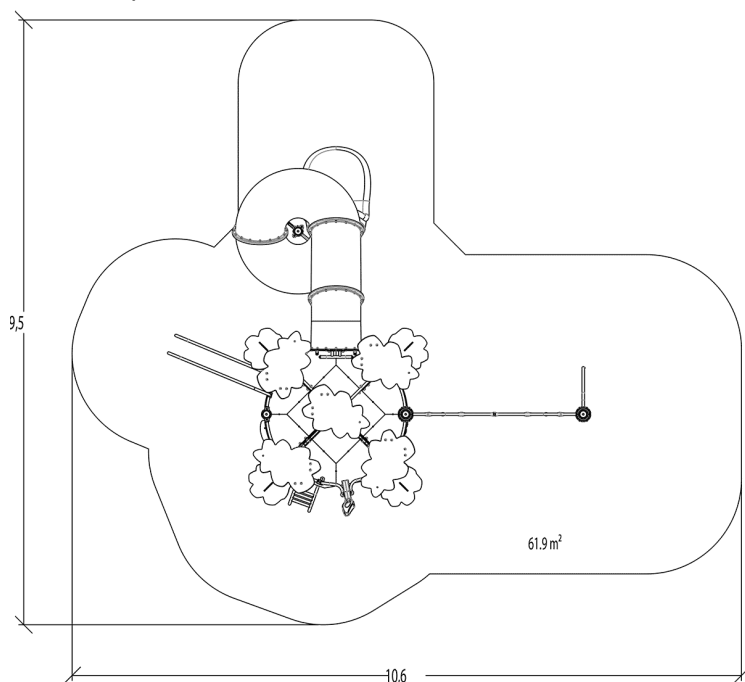


- 1 Net IXO
- 2 Speed slide
- 3 Ladder Ht: 1.77m
- 4 Panneau ludique boulier
- 5 Palissade cabane
- 6 Shop
- 7 2-seater suspended seats
- 8 Toboggan polyéthylène Ht : 2,37 m
- 9 Plateforme Ht : 2,37 m

Installation of equipment

IMPORTANT: It is essential to refer to the installation instructions for information on the size of the safety areas.

-  Impact area (minimum normative surface)
-  Free space



1	0,60m	9,5m ²
2	1,00m	9,5m ²
3	1,77m	6m ²
4	2,37m	7,5m ²
5	3,00m	30m ²



2

20h00

1.4m³

62.5m²

1243kg

41kg

EN

1176