


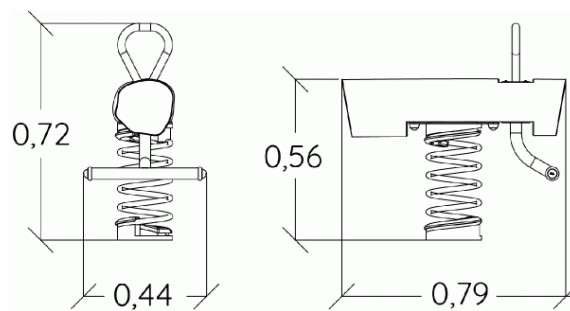
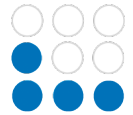
 **2+**  
 **1**  
 **0,6m**


  
 1 = 0,79m  
 2 = 0,44m  
 3 = 0,72m



Physical inclusion  
Sensory inclusion  
Cognitive inclusion



**Play value :**

**3**

role play



x1

balancing



x1

Oscillate



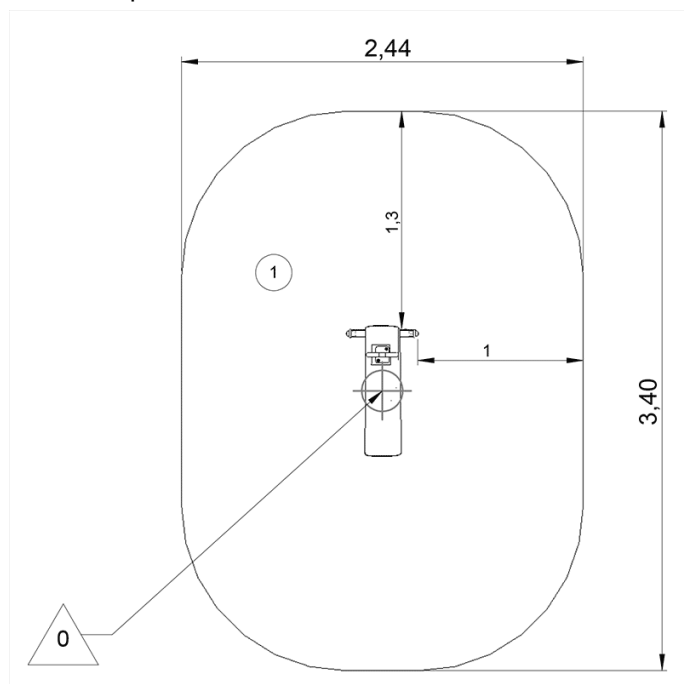
x1

## Installation of equipment

**IMPORTANT:** It is essential to refer to the installation instructions for information on the size of the safety areas.

———— Impact area (minimum normative surface)

- - - - - Free space



1	0,60m	7,5m <sup>2</sup>



2



02h15



0.02m<sup>3</sup>



7.5m<sup>2</sup>



39kg



19kg

