

5 25 065 011 00

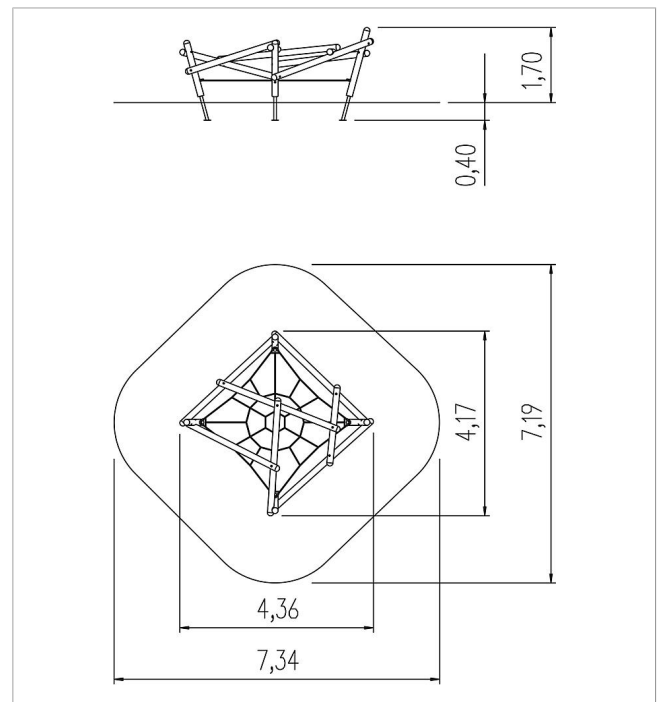
climbo climbing structure Terion

made in germany



Scope of delivery

- 4x post structure: SW
- 4x post shoe: galvanised steel
- 1x climbing net: plastic-coated steel cable



	Material	SW pi
	Foundation level	ET 400
	Minimum space	6,15x6,15x3,25 m
	Free falling height	145 cm
	Impact protection net	35,0 m ²
	Foundations	4x CF
	Assembly	2 persons/4 h