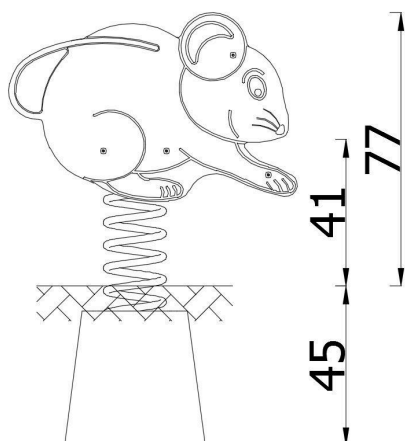
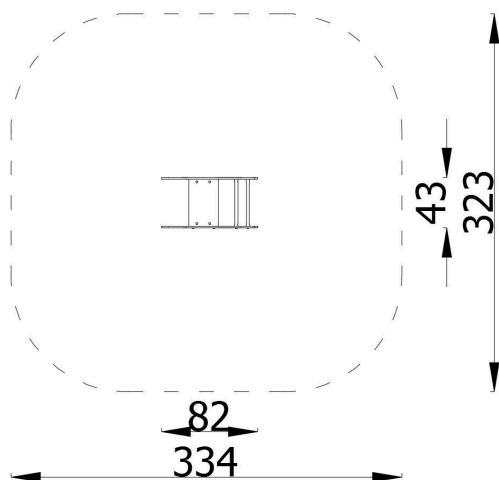
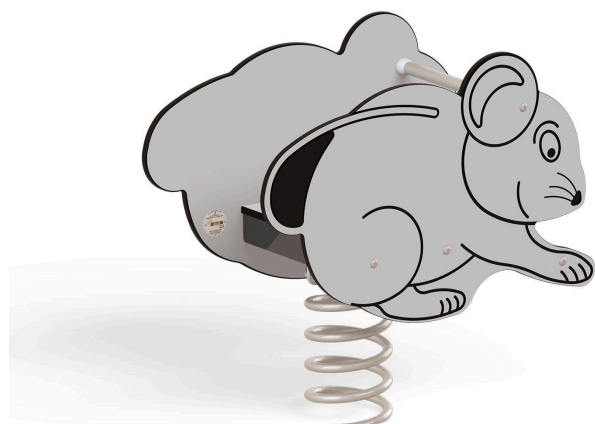


Mouse rocker / concrete base 3096EPZ



DESCRIPTION

The structure of the device is made of S235 steel. Steel elements protected against corrosion by galvanizing and powder coating. Colorful panels made of flexible high-pressure polyethylene (HDPE). All connectors and fittings resistant to weather conditions and UV radiation. The device is placed on the ground level. Installation according to the assembling instructions.

INFORMATION

Number of users	1
Age range	1 - 12
Device dimensions [m]	0.82 x 0.43 x 0.77
Compliance with the norm	EN-1176-1:2017-12

SAFETY SURFACE

Zone	Max height of fall [m]	Area [m ²]	Perimeter of safety zone [m]
A	0.6	10	11.5
B			
C			

