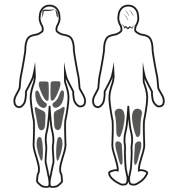
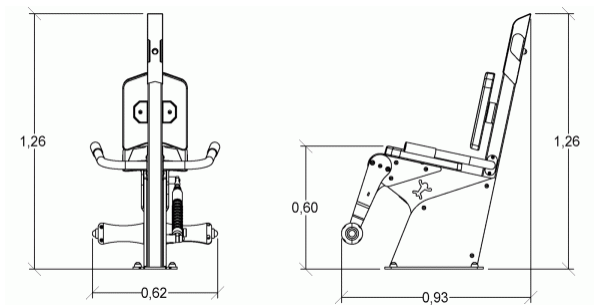


Sports formula



Muscular stimulation



► **Sports activities :** **2**

Resistance

Soulever



x1

x1

muscle strengthening



heart health

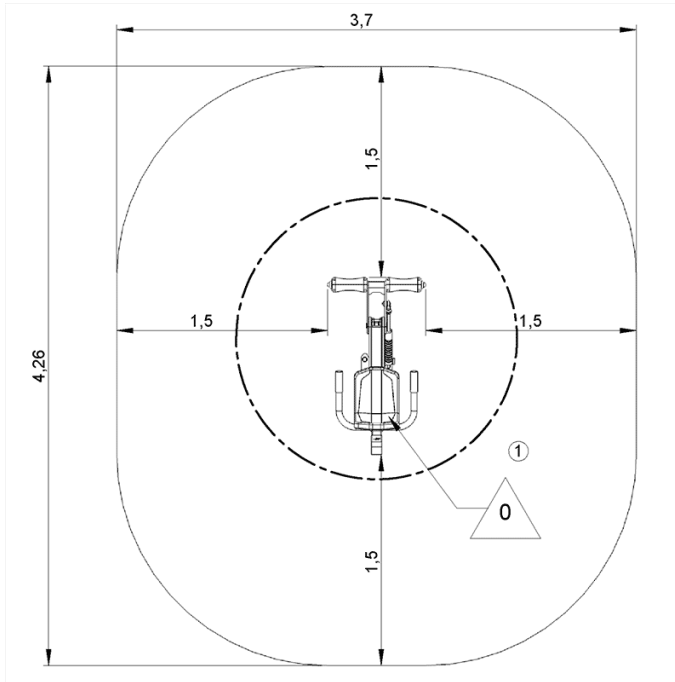
balance



coordination

► Installation of equipment

IMPORTANT: It is essential to refer to the installation instructions for information on the size of the safety areas.

-  Impact area (minimum normative surface)
-  Free space



		
1	0,68m	14m²



2



02h00



0.14m³



14m²



70kg



40kg

