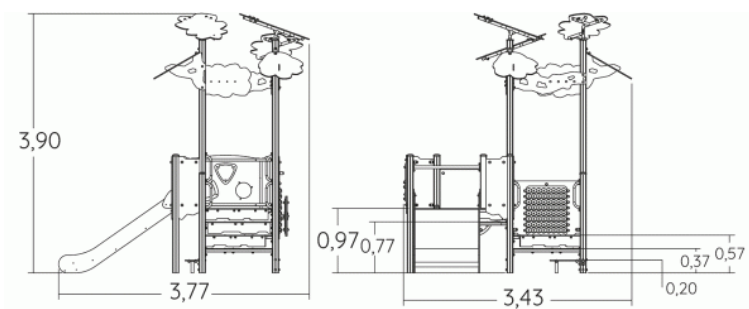


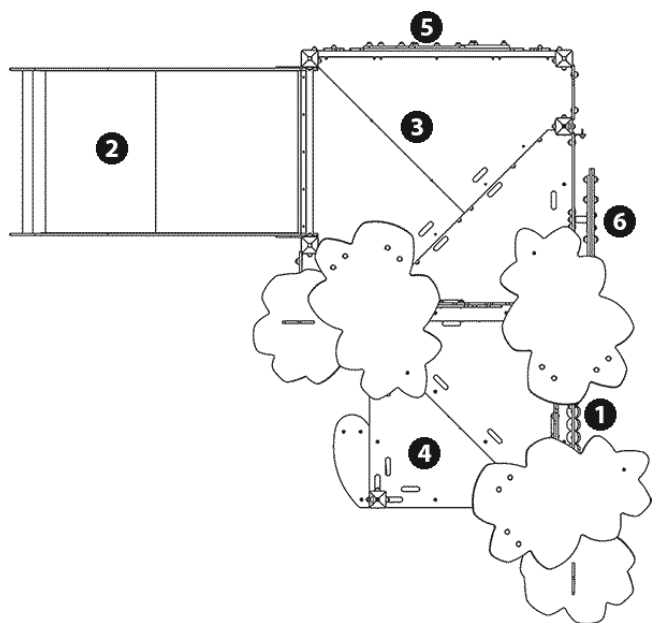
Physical inclusion
Sensory inclusion
Cognitive inclusion



Play value : **21**

role play	sliding	meeting	handling	thinking	tactile stimulation	visual stimulation	climbing
x3	x1	x1	x5	x2	x5	x2	x2



Components

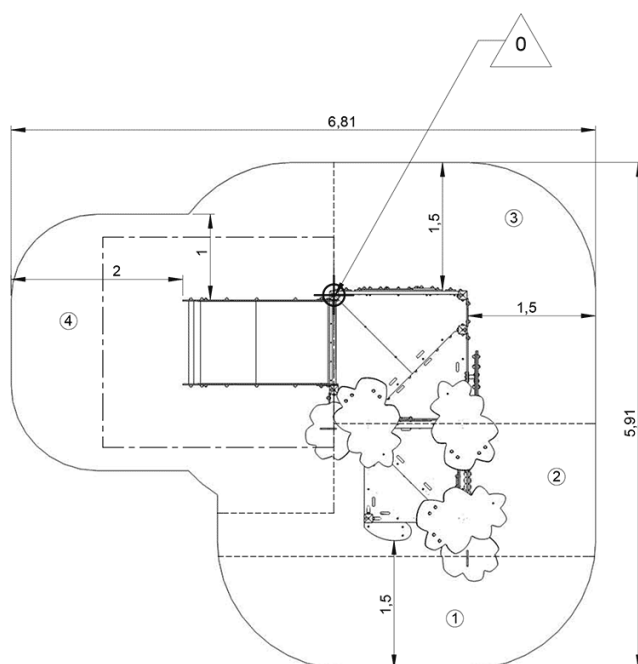


- ❶ Panneau ludique boulier
- ❷ Toboggan Ht : 0.97 m
- ❸ Plate-forme Ht : 0.97 m
- ❹ Escalier transfert
- ❺ Panneau ludique sensoriel
- ❻ Panneau disques/labyrinthe

Installation of equipment

IMPORTANT: It is essential to refer to the installation instructions for information on the size of the safety areas.

-  Impact area (minimum normative surface)
-  Free space



	Person sitting	Structure
1	0,6m	4,5m ²
2	0,77m	5,5m ²
3	0,97m	9m ²
4	1m	12,5m ²



2

10h00

0.3m³

32.5m²

552kg

30kg

EN

1176