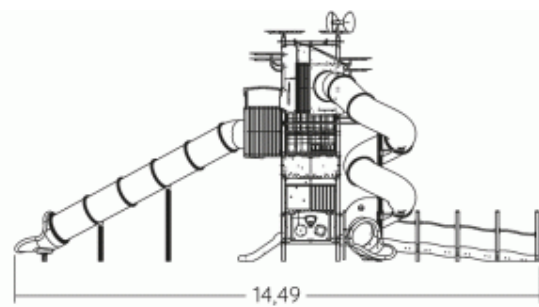
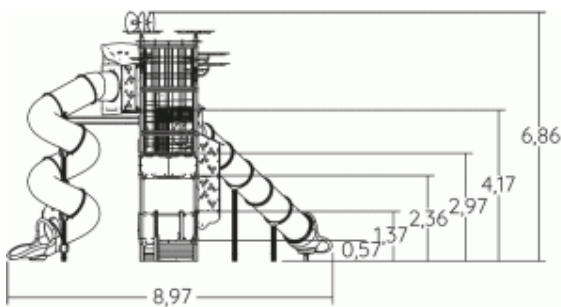


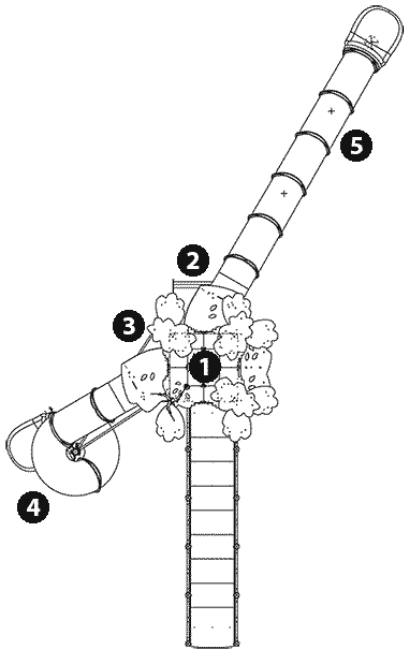
Physical inclusion
Sensory inclusion
Cognitive inclusion



Play value : **31**

climbing x1	role play x2	sliding x3	meeting x2	resting x1	handling x3	hiding x3	balancing x1
taking shelter x4	tactile stimulation x3	visual stimulation x3	climbing x3	getting across x2			

Components

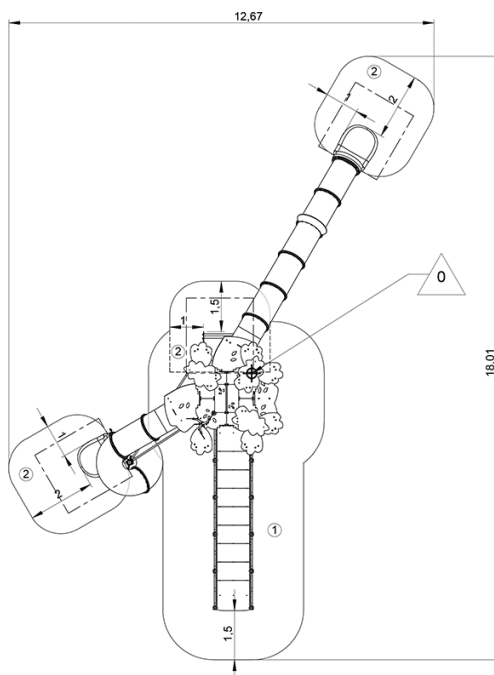


- ❶ Tour 6m - passage déporté
- ❷ Toboggan large Ht : 0.57 m
- ❸ Panneau ludique sensoriel
- ❹ Polyethylene slide Ht : 4.17m
- ❺ Polyethylene slide Ht : 2.97m

Installation of equipment

IMPORTANT: It is essential to refer to the installation instructions for information on the size of the safety areas.

- Impact area (minimum normative surface)
- Free space



1	0,6m	40m ²
2	1m	26m ²



3



25h00



1.4m³



66.5m²



2558kg



72kg

