



5+



18



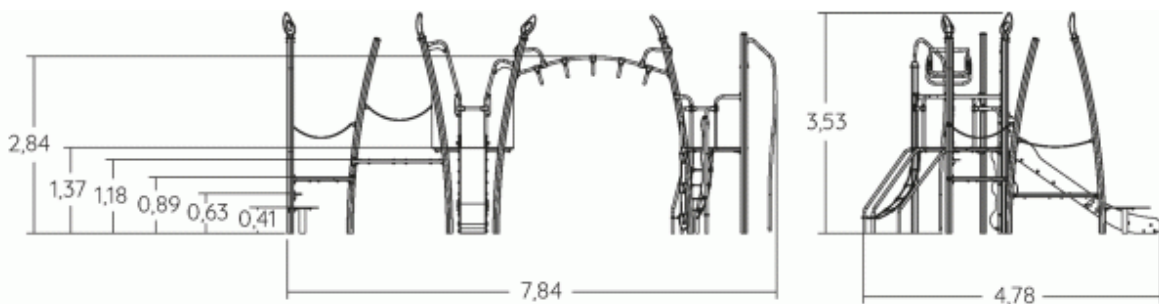
2,85m



1 = 7,91m
2 = 4,8m
3 = 3,49m



Physical inclusion
Sensory inclusion
Cognitive inclusion



Play value : **18**

climbing



x1

sliding



x2

meeting



x2

hanging



x1

balancing



x5

climbing



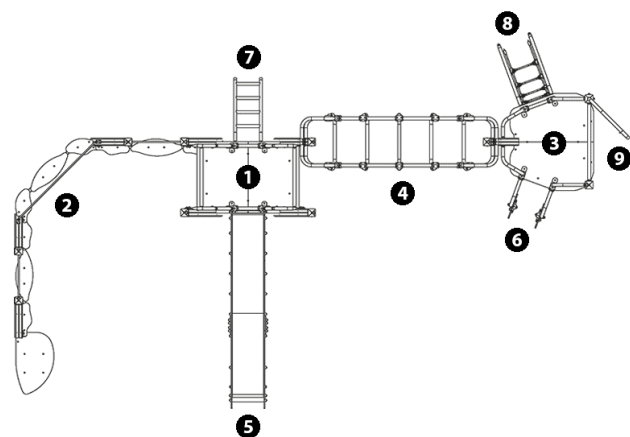
x3

getting across



x4

Components

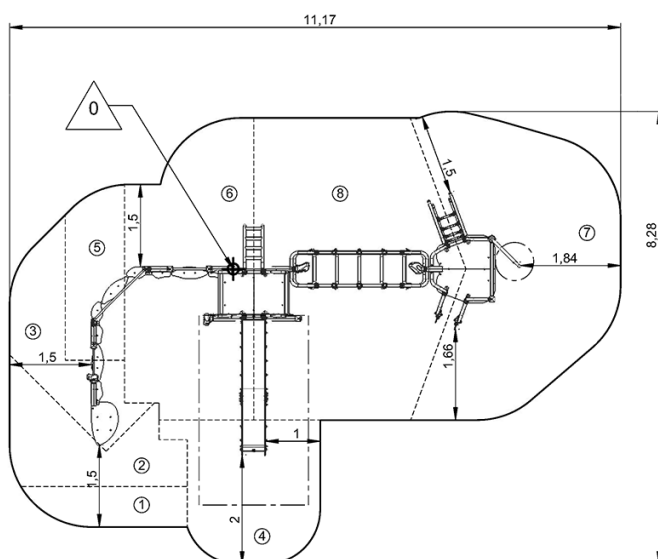


- ❶ Platform with no roof, Ht: 1,37m
- ❷ Pathway
- ❸ Platform with no roof, Ht: 1,37m
- ❹ Arche
- ❺ Slide Ht : 1.37m
- ❻ Climbing ladder
- ❼ Ladder Ht: 1.37m
- ❽ Flexible ladder, Ht: 1,37m
- ❾ Mât à glisser

Installation of equipment

IMPORTANT: It is essential to refer to the installation instructions for information on the size of the safety areas.

-  Impact area (minimum normative surface)
-  Free space



| | | |
|---|-------|-------------------|
| 1 | 0,6m | 2m ² |
| 2 | 0,64m | 4,5m ² |
| 3 | 0,9m | 4,5m ² |
| 4 | 1m | 6,5m ² |
| 5 | 1,19m | 3,5m ² |
| 6 | 1,37m | 12m ² |
| 7 | 2m | 16m ² |
| 8 | 2,85m | 19m ² |



2

24h00

0.6m³

68m²

614kg

26kg

EN

1176