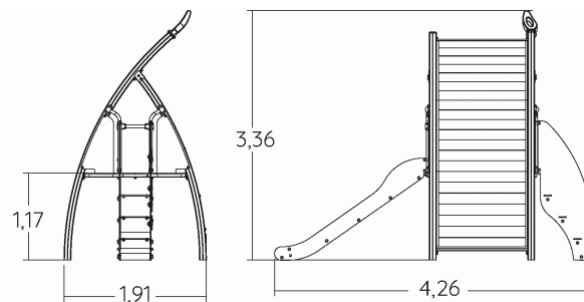


Physical inclusion  
Sensory inclusion  
Cognitive inclusion



**Play value :**      **13**

climbing



x1

sliding



x1

meeting



x1

handling



x2

hiding



x2

taking shelter



x1

thinking



x2

tactile stimulation



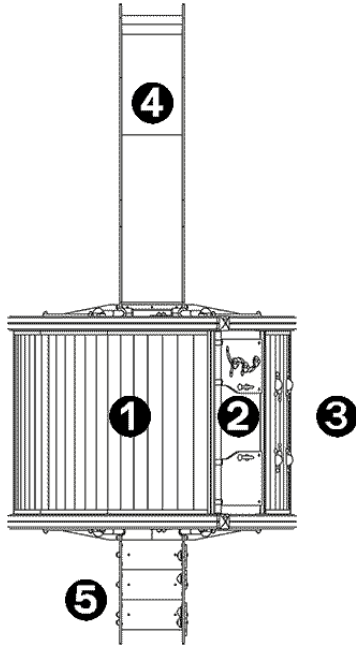
x2

climbing



x1



## Components

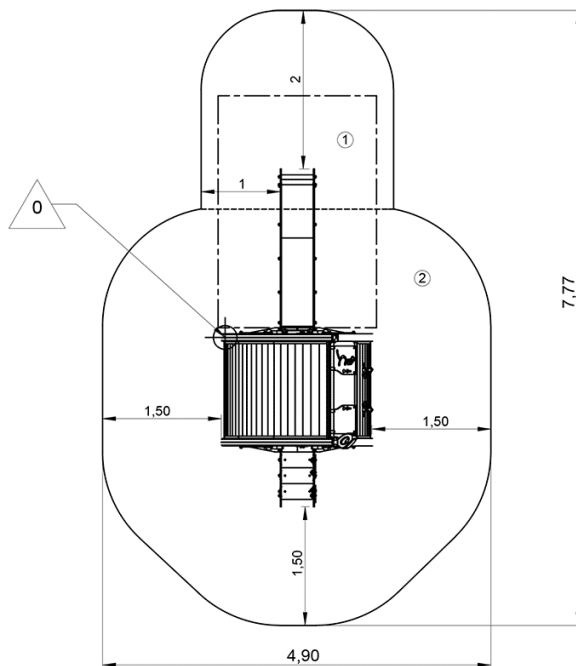


- ❶ Platform H: 1.17m
- ❷ Play panel
- ❸ Climbing wall H: 1.7m
- ❹ Slide Ht : 1.17m
- ❺ Escalier Ht : 1,17 m

## Installation of equipment

**IMPORTANT:** It is essential to refer to the installation instructions for information on the size of the safety areas.

-  Impact area (minimum normative surface)
-  Free space



1	1m	6m <sup>2</sup>
2	1,17m	22m <sup>2</sup>



2



10h00



0.3m<sup>3</sup>



28m<sup>2</sup>



357kg



28kg

