



2+



15



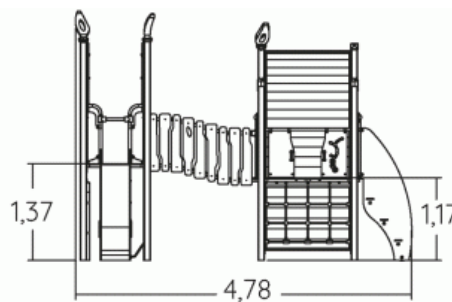
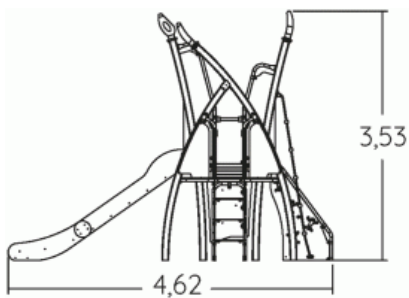
1,37m



1 = 4,78m  
2 = 4,61m  
3 = 3,53m



Physical inclusion  
Sensory inclusion  
Cognitive inclusion



Play value : **20**

climbing



x2

sliding



x1

meeting



x2

handling



x2

hiding



x2

balancing



x1

taking shelter



x1

thinking



x2

tactile stimulation



x2

climbing



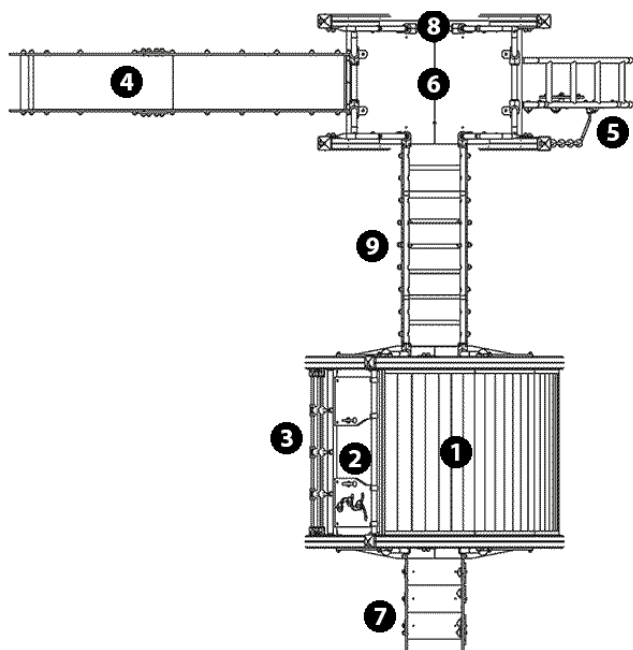
x4

getting across



x1

## Components

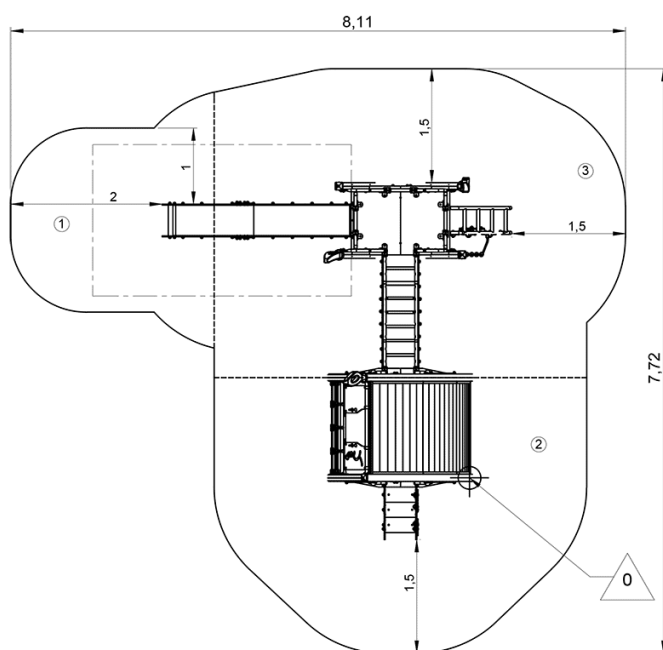


- ① Platform H: 1.17m
- ② Play panel
- ③ filet Ht : 1,17 m
- ④ Slide Ht : 1.37m
- ⑤ Climbing unit, HT: 1.37m
- ⑥ Platform with no roof, Ht: 1,37m
- ⑦ Escalier Ht : 1,17 m
- ⑧ Climbing wall Ht: 1.37m
- ⑨ Tilted bridge

## Installation of equipment

**IMPORTANT:** It is essential to refer to the installation instructions for information on the size of the safety areas.

-  Impact area (minimum normative surface)
-  Free space



1	1m	7m <sup>2</sup>
2	1,17m	15m <sup>2</sup>
3	1,37m	20,5m <sup>2</sup>



2



17h00



0.4m<sup>3</sup>



42.5m<sup>2</sup>



693kg



28kg

EN

1176