



2+



20



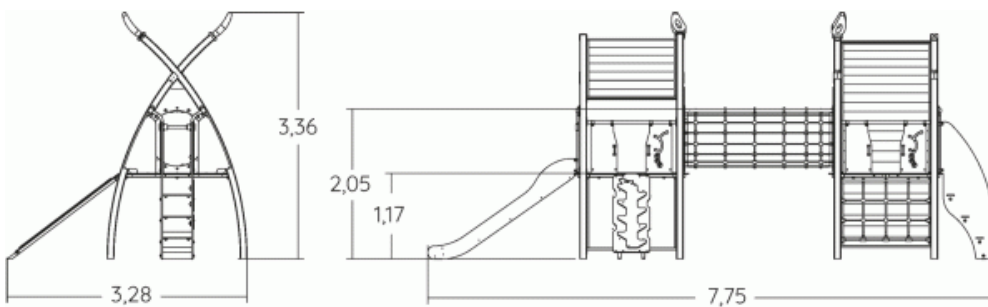
1,17m



1 = 7,75m
2 = 3,27m
3 = 3,37m



Physical inclusion
Sensory inclusion
Cognitive inclusion



Play value : **26**

climbing



x1

sliding



x1

meeting



x2

handling



x4

crawling



x1

hiding



x2

balancing



x1

taking shelter



x2

thinking



x4

tactile stimulation



x4

climbing



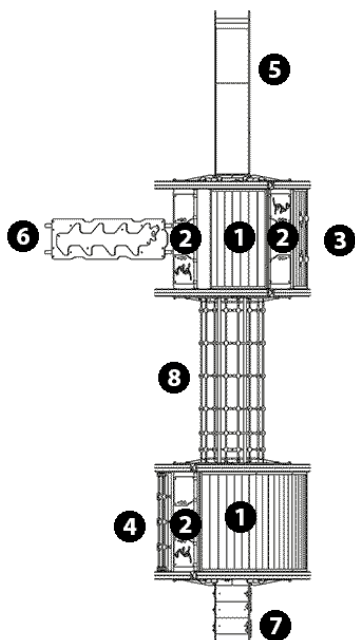
x3

getting across



x1

Components

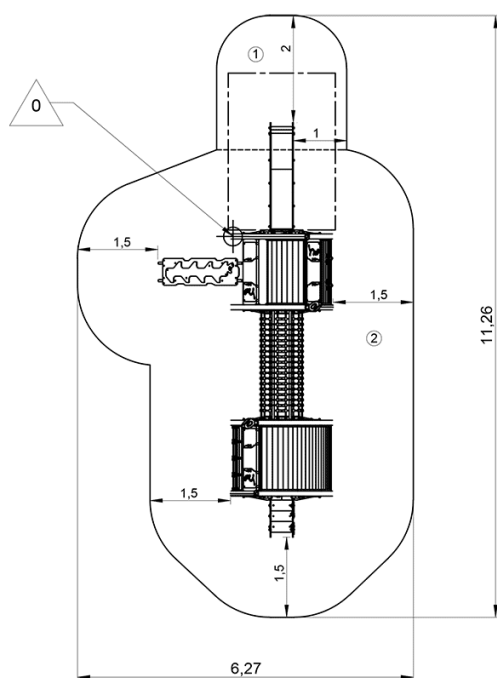


- ① Platform H: 1.17m
- ② Play panel
- ③ Climbing wall H: 1.7m
- ④ filet Ht : 1,17 m
- ⑤ Slide Ht : 1.17m
- ⑥ Slope Ht: 1.17m
- ⑦ Escalier Ht : 1,17 m
- ⑧ Net tunnel

Installation of equipment

IMPORTANT: It is essential to refer to the installation instructions for information on the size of the safety areas.

-  Impact area (minimum normative surface)
-  Free space



1	1m	6m ²
2	1,17m	43m ²



2



16h00



0.38m³



49m²



722kg



39kg

