



6+



8



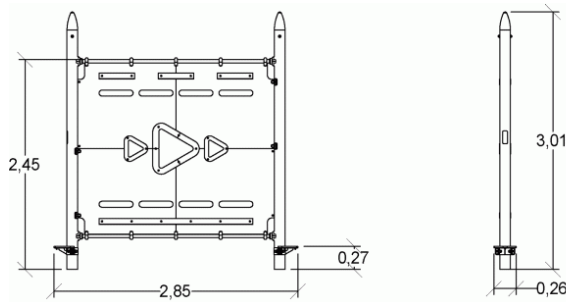
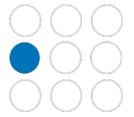
2,45m



1 = 2,85m
2 = 0,26m
3 = 3,01m



Physical inclusion
Sensory inclusion
Cognitive inclusion



Play value :

6

balancing



x2

getting across



x2



hanging

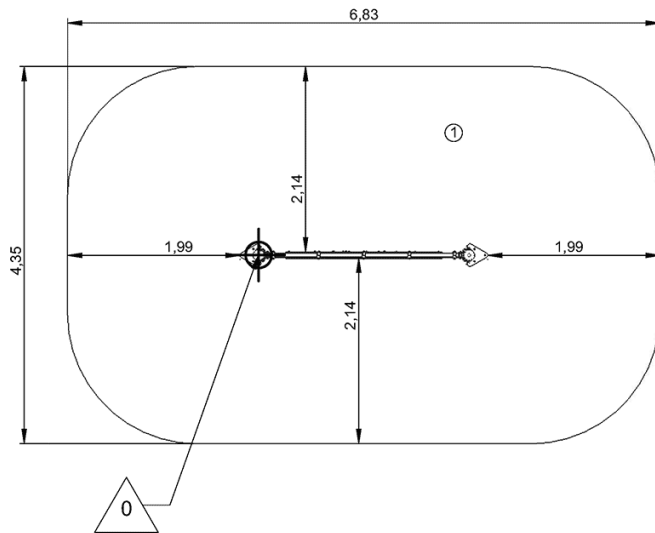




x2

Installation of equipment

IMPORTANT: It is essential to refer to the installation instructions for information on the size of the safety areas.

-  Impact area (minimum normative surface)
-  Free space



		
1	2,45m	28m ²



2



02h00



0.13m³



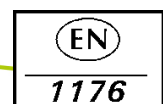
28m²



166kg

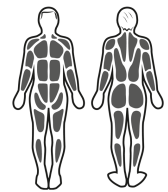


25kg

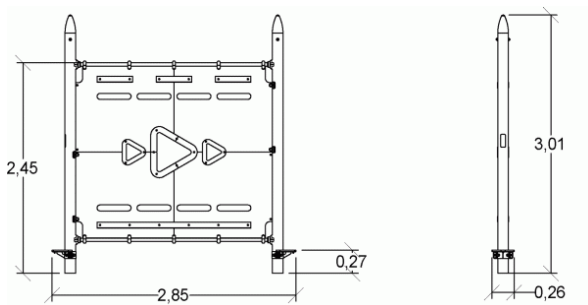




Sports formula



Muscular stimulation



► Sports activities : 6

balancing

getting across

hanging



x2



x2



x2

muscle strengthening



heart health

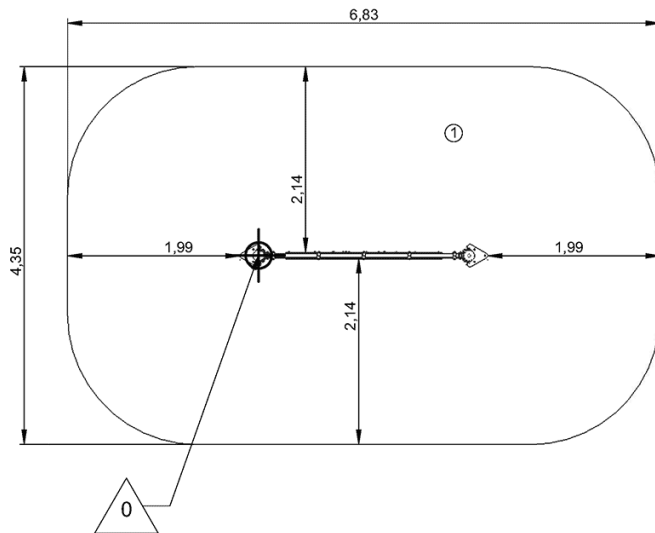
balance



coordination

Installation of equipment

IMPORTANT: It is essential to refer to the installation instructions for information on the size of the safety areas.

-  Impact area (minimum normative surface)
-  Free space



		
1	2,45m	28m²



2



02h00



0.13m³



28m²



166kg



25kg

