


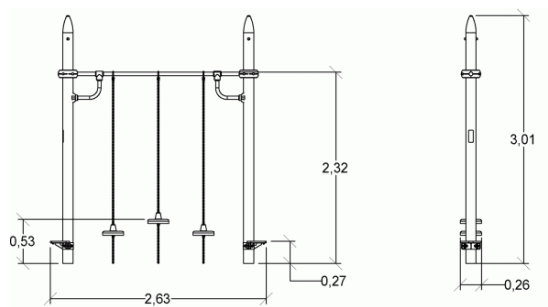
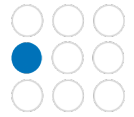
 6+
  5
  0,6m


 1 = 2,62m
 2 = 0,26m
 3 = 3,01m



Physical inclusion
Sensory inclusion
Cognitive inclusion



Play value : 3

balancing



getting across




hanging

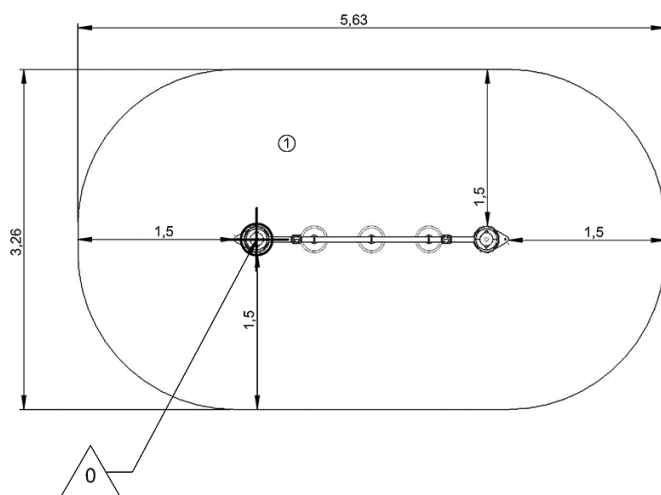




Installation of equipment

IMPORTANT: It is essential to refer to the installation instructions for information on the size of the safety areas.

 Impact area (minimum normative surface)

 Free space



		
1	<0,6m	16,5m ²



2



01h00



0.21m³



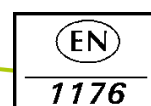
16.5m²



90kg

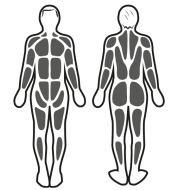


25kg

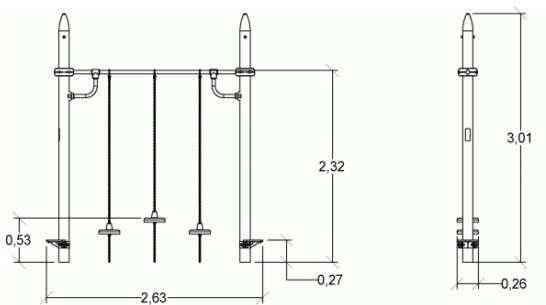




Sports formula



Muscular stimulation



► Sports activities : 3

balancing



x1

getting across



x1

hanging



x1

muscle strengthening

heart health

balance

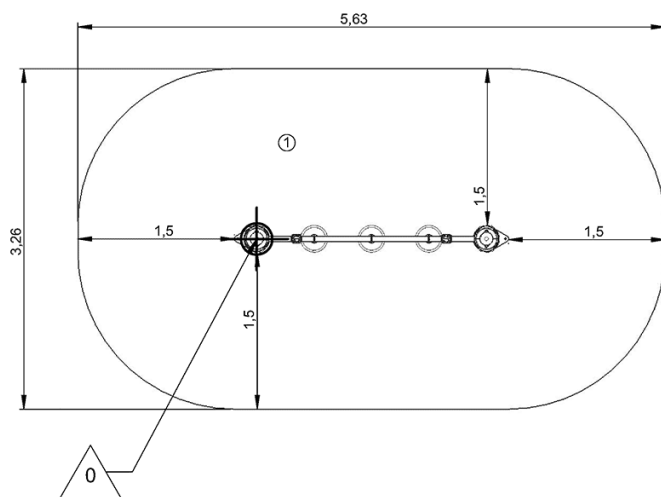
coordination

Installation of equipment

IMPORTANT: It is essential to refer to the installation instructions for information on the size of the safety areas.

———— Impact area (minimum normative surface)

- - - - - Free space



1	<0,6m	16,5m ²
---	-------	--------------------



2



01h00



0.21m³



16.5m²



90kg



25kg

