



6+



4



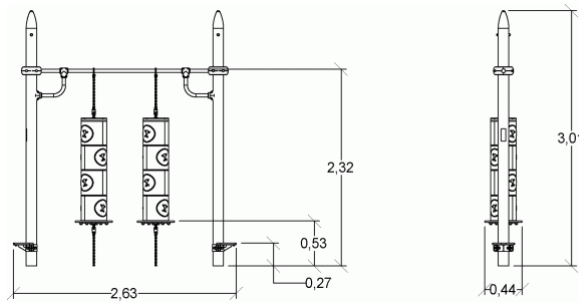
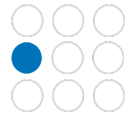
0,6m



1 = 2,63m
2 = 0,44m
3 = 3,01m



Physical inclusion
Sensory inclusion
Cognitive inclusion





Play value : **2**

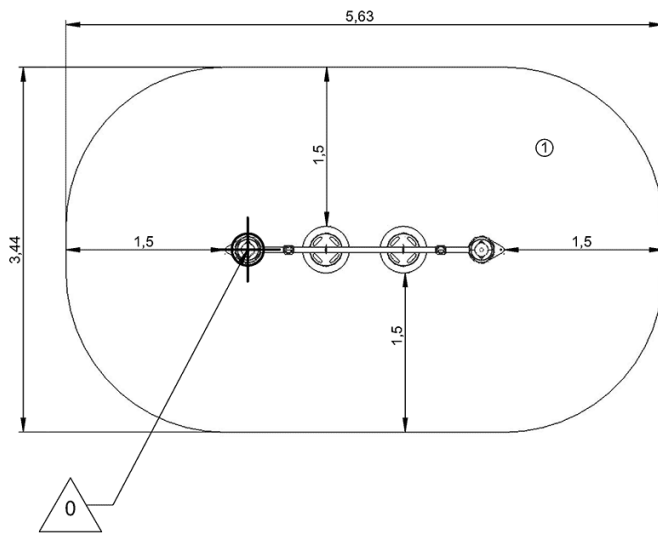
balancing getting across





Installation of equipment

IMPORTANT: It is essential to refer to the installation instructions for information on the size of the safety areas.

-  Impact area (minimum normative surface)
-  Free space



		
1	<0,6m	17,5m ²



2



01h00



0.21m³



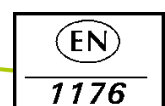
17.5m²



289kg

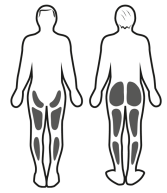


107kg

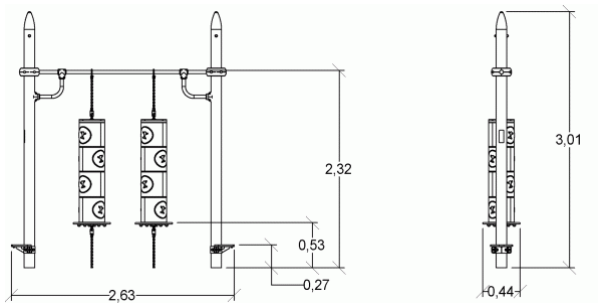




Sports formula



Muscular stimulation



► Sports activities : 2

balancing getting across



muscle strengthening



heart health

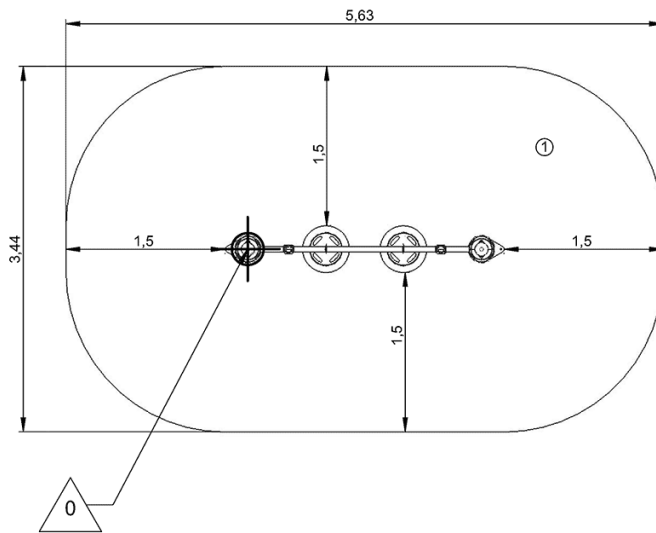
balance



coordination

► Installation of equipment

IMPORTANT: It is essential to refer to the installation instructions for information on the size of the safety areas.

-  Impact area (minimum normative surface)
-  Free space



		
1	<0,6m	17,5m²



2



01h00



0.21m³



17.5m²



289kg



107kg

