


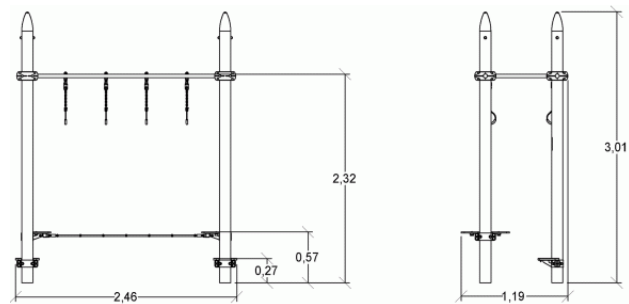
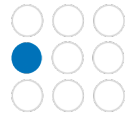
 **6+**
 **4**
 **2,32m**



 1 = 2,46m
 2 = 1,19m
 3 = 3,01m



Physical inclusion
Sensory inclusion
Cognitive inclusion



Play value :

6

balancing



getting across



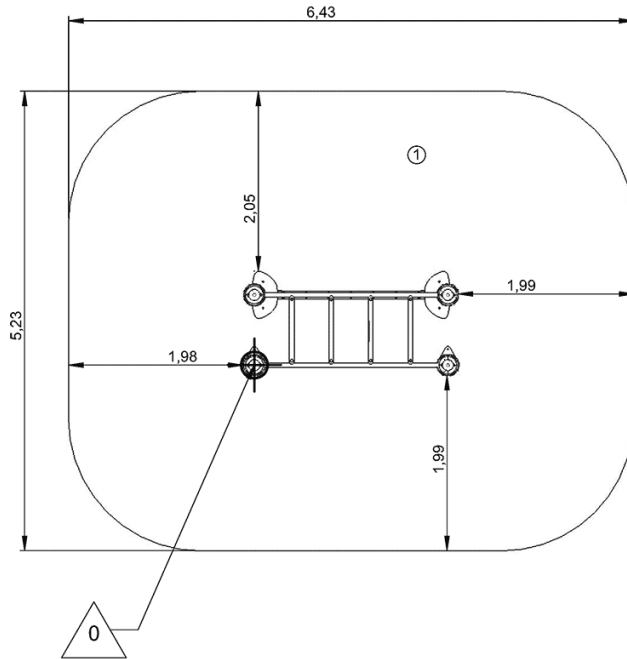
hanging





Installation of equipment

IMPORTANT: It is essential to refer to the installation instructions for information on the size of the safety areas.

-  Impact area (minimum normative surface)
-  Free space



		
1	2,32m	32m ²



2



02h00



0.26m³



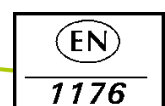
32m²

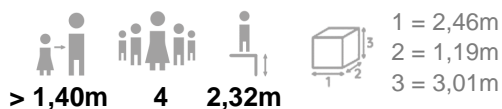


163kg

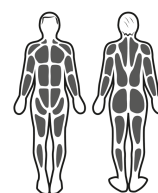


25kg

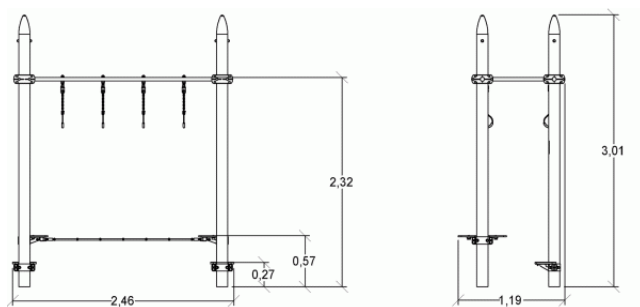




Sports formula



Muscular stimulation



► Sports activities : 6

balancing



getting across



hanging



muscle strengthening



heart health

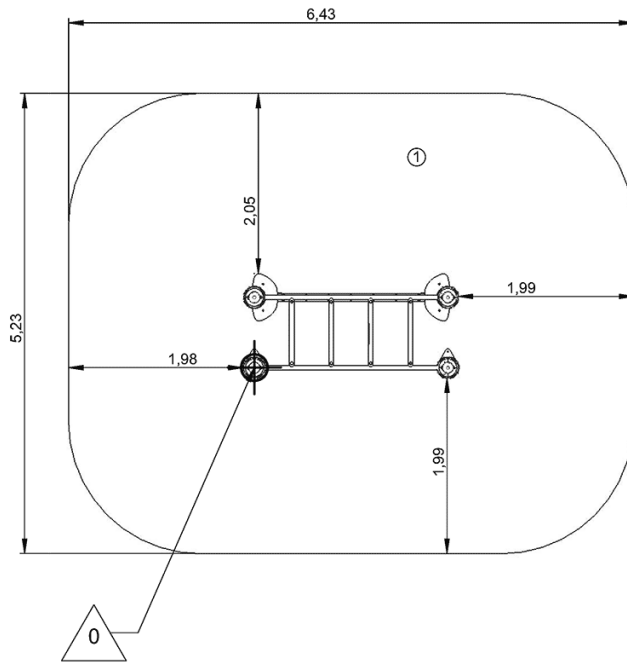
balance



coordination

Installation of equipment

IMPORTANT: It is essential to refer to the installation instructions for information on the size of the safety areas.

-  Impact area (minimum normative surface)
-  Free space



		
1	2,32m	32m²



2



02h00



0.26m³



32m²



163kg



25kg

