

Data sheet

A device for playing outdoors

Made based on the standard PN-EN 1176-1:2017-12

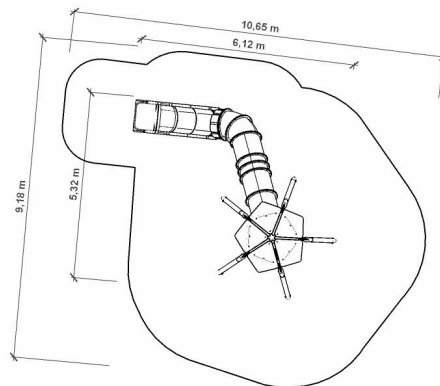
Manufactured in Poland

Technical data

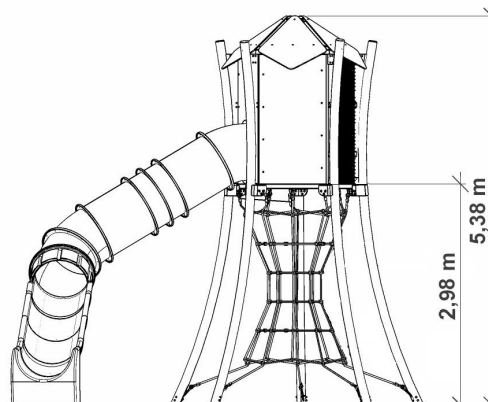
- Device size:	5,32 x 6,12 m
- Total height:	5,38 m
- Impact area dimensions:	9,18 x 10,65 m
- Impact area:	69 m ²
- Free fall height (HIC):	2,98 m
- Age:	7+



Device and impact area dimensions



Height



Material specification:

Construction:	pipe 114,3x4 mm galvanized and powder coated and steel profile 60 x 60, galvanized and powder coated
Slide:	polietylen
Platform:	stainless steel and weatherproof non-slip HDPE
Barriers:	welded and painted steel mesh and polycarbonate boards
Roof:	weatherproof HDPE
Lines:	polypropylene with steel core
Connections:	stainless steel
Applications:	prints on a polycarbonate board
Wall:	welded and painted steel mesh and polycarbonate boards
Anchor:	devices permanently anchored in the ground on a concrete foundation of min. C20/25, 60 cm below the ground level

Impact attenuating surface:

It is required to make one of the impact attenuating surface:

- Sand – 0,2 - 2 mm grain size, depth min. 300 mm,
- Gravel – 2 - 8 mm grain size, depth min. 300 mm,
- Bark – 20 - 80 mm particle size, depth min. 300 mm,
- Woodchips – 5 - 30 mm particle size, depth min. 300 mm,
- Other materials and other depths as tested according to EN 1177

