


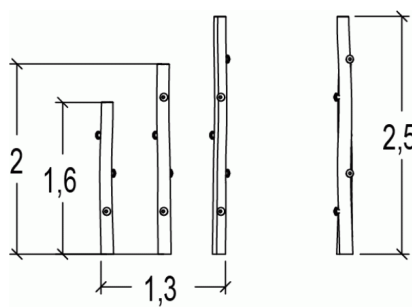
 **4+**
 **3**
 **2,1m**


 1 = 1,3m
 2 = 0,14m
 3 = 2,5m



Physical inclusion
 Sensory inclusion
 Cognitive inclusion



Play value : **3**

climbing



x1

balancing



x1

getting across



x1

Components

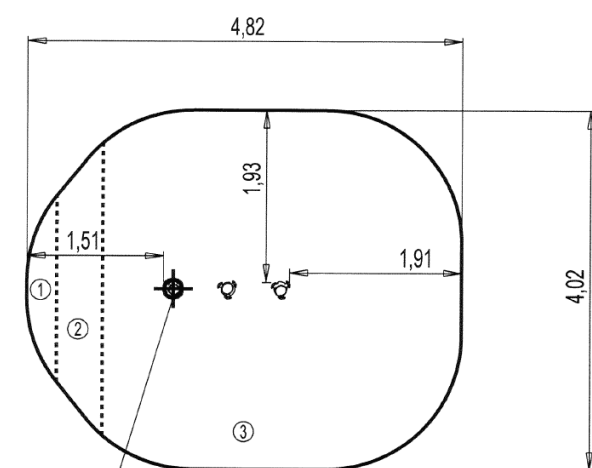
1 Climbing posts



Installation of equipment

IMPORTANT: It is essential to refer to the installation instructions for information on the size of the safety areas.

-  Impact area (minimum normative surface)
-  Free space



Point de Référence
Setting Out Point
Punto de referencia
Bezugspunkt
Referentiepunt



1	1,5m	0,5m ²
2	1,7m	1,5m ²
3	2,1m	15m ²



2



02h00



0.19m³



17m²



92kg



35kg

