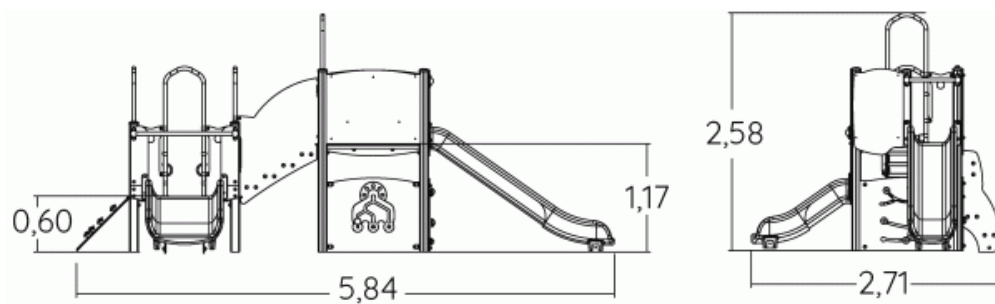


Physical inclusion
Sensory inclusion
Cognitive inclusion




Play value : **14**

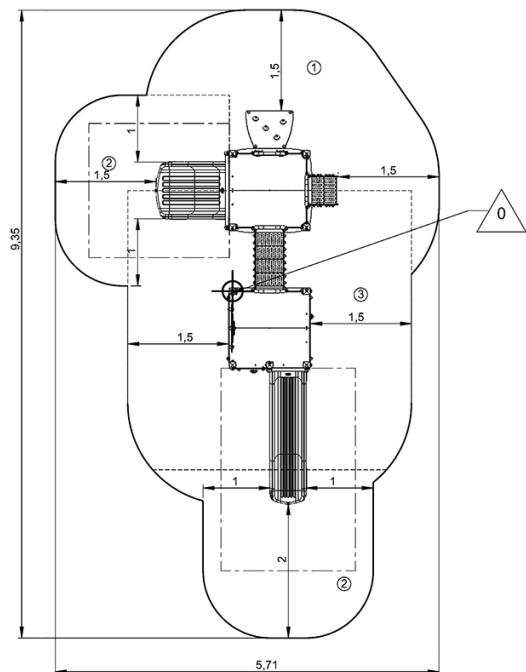
climbing	role play	sliding	meeting	handling	taking shelter	tactile stimulation	climbing
x1	x1	x2	x1	x3	x1	x3	x2

Installation of equipment

IMPORTANT: It is essential to refer to the installation instructions for information on the size of the safety areas.

 Impact area (minimum normative surface)

 Free space



1	0,6m	8,5m ²
2	1m	11,5m ²
3	1,17m	17,5m ²



2



12h00



0.44m³



37.5m²



527kg



54kg

EN

1176