


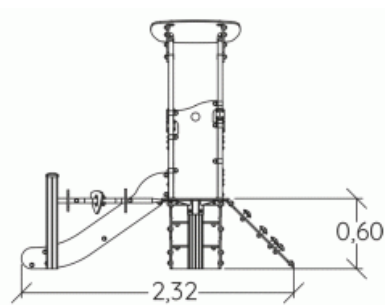
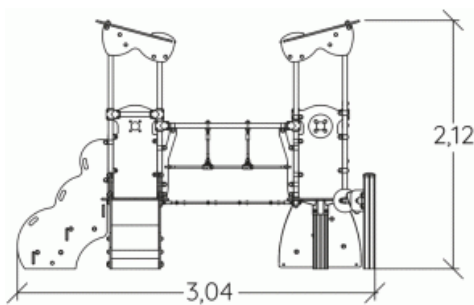
 **2+**  
 **12**  
 **1m**


  
 1 = 3,02m  
 2 = 2,32m  
 3 = 2,12m



Physical inclusion  
Sensory inclusion  
Cognitive inclusion



**Play value :** **12**

climbing



x1

sliding



x1

meeting



x2

handling



x1

balancing



x1

taking shelter



x2

thinking



x1

tactile stimulation



x1

climbing



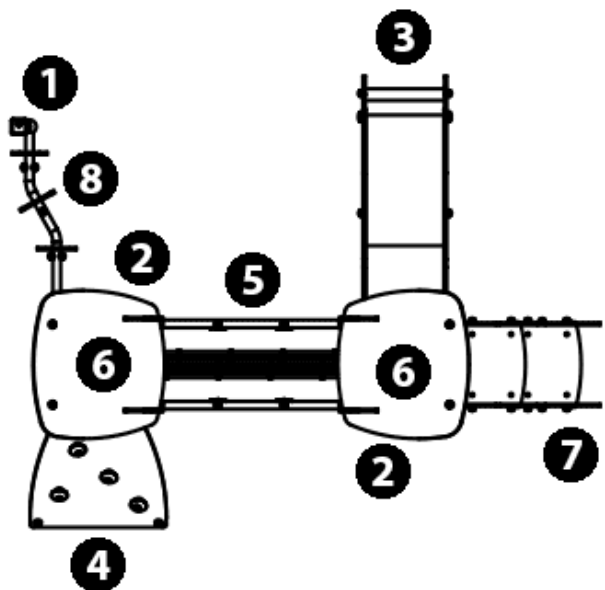
x1

getting across



x1

## Components

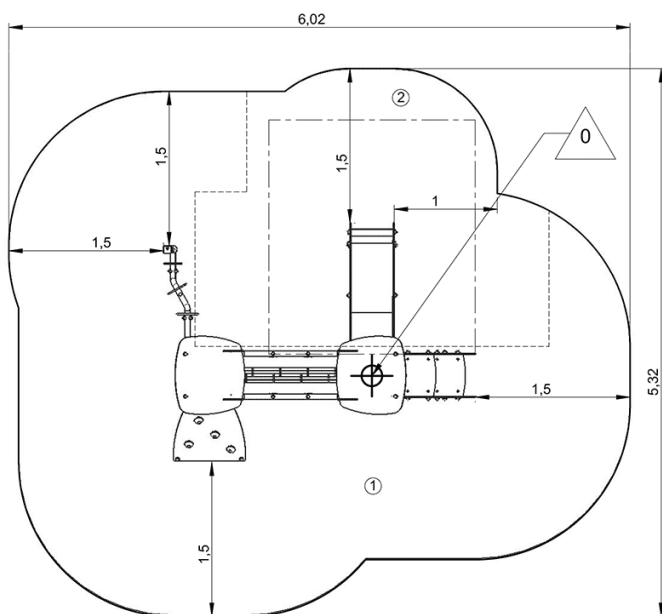


- ① Poteau Bas
- ② Platform HT: 0.6m
- ③ Slide HT: 0.6m
- ④ Slope
- ⑤ Passerelle cordage droite
- ⑥ Roof
- ⑦ Baby access steps
- ⑧ "The colour rail"

## Installation of equipment

**IMPORTANT:** It is essential to refer to the installation instructions for information on the size of the safety areas.

-  Impact area (minimum normative surface)
-  Free space



1	0,6m	18,5m <sup>2</sup>
2	1m	8m <sup>2</sup>



2

03h00

0.25m<sup>3</sup>

26.5m<sup>2</sup>

203kg

10kg

EN

1176